

DON & GOLDMAN ENGINEERING

Bull Heading Every Opportunity!



FOUNDER & CEO

KAPIL B. KHANNA

DON & GOLDMAN ENGINEERING,
TOWER 3, OFFICE NO 48, 9TH FLOOR,
MAZYAD BUSSINESS CENTER,
MBZ -1, ABU DHABI, UAE
EMAIL: INFO@DGM-ENGG.COM
MOBILE - +971564009463

DON & GOLDMAN ENGINEERING



MESSAGE FROM THE FOUNDER & CEO

Having worked for 28 years in oil and gas services sector mainly in Cementing services, Process & pipeline services, coil tubing services, service & maintenance of oil and gas equipment, in manufacturing and as the head of an oil and gas company, the experience has been diversified fulfilling but not enough. Now is the time to give back and serve the clients with utmost sincerity as a company with discipline, hard work and accountability. We will run our organization in most ethical manner with high morals and keeping a mindset of humane understanding while dealing with our clients and workers alike. Job scope execution as per client norms will be of utmost importance and the only pathway to professional success that we will strive to achieve at all times.

KAPIL B KHANNA

DON & GOLDMAN ENGINEERING



COMPANY PROFILE IN BRIEF :

OIL & GAS SERVICE SUPPORT

DGM Engineering provides comprehensive services support for both upstream and downstream including manufacturing and fabrication services to our valuable clients in the Oil and Gas industry. Oil & Gas being the most prominent business in the middle east requires that expertise and experience and wide range of network to get the scopes done in time. We are confident about the capabilities and experience of our team in providing the best possible service support for our clients and vendors in the middle east, Caspian, African and Asian region.

Pumps – N2 pumps, Cementing pumps & Centrifugal pumps.

SALES/SERVICE /RENTALS

Pumps are an essential part and participle of oil and gas industry. Be it upstream service or downstream services, pumps are an essential component to achieve the results. Be it cementing services, or drilling services, coil tubing or fracturing, Process or pipeline services, industry has pumps for each and every known scope pertaining to the specific use and execution type.

We undertake all types of pumps servicing, maintenance and trouble shooting. Sales and arrangement of spares and making it available on site as per client requirement. Although it's a start for us and we are just placing our feet into the sector, we have a very good network of suppliers globally and locally which can eliminate downtime and get the scopes done before or in time.

We are very well versed with:

- SCHLUMBERGER CEMENTING PUMPS
- BJ SERVICES / BAKER HUGHES PUMPS
- HALLIBURTON CEMENTING PUMPS
- TANG SENG N2 PUMPS
- NOV HYDRARIG N2 PUMPS
- LOCAL MANUFACTURERS ALSO

DON & GOLDMAN ENGINEERING



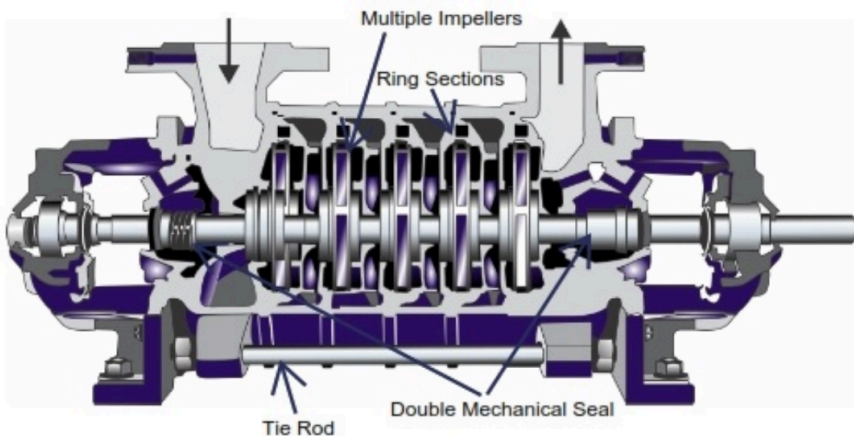
**Pumps - N2 pumps, Cementing pumps & Centrifugal pumps.
SALES/SERVICE /RENTALS**



DON & GOLDMAN ENGINEERING



Pumps - N2 pumps, Cementing pumps & Centrifugal pumps.
SALES/SERVICE /RENTALS



DON & GOLDMAN ENGINEERING



CENTRIFUGAL PUMPS

- VARIOUS SIZES
- VARIOUS MEDIUMS
- DIESEL/ELECTRICAL
- DNV/NON DNV



TYPES

- Single stage • Double stage • Lift pumps • Suction pumps • Transfer pumps
- Vacuum pumps • High pressure pumps • Skid mounted

SALES/ SERVICING/ SPARES

- FORUM PUMPS
- DOUBLE LIFE
- MISSION MAGNUM
- Other models also but spares might take time.

Equipment Manufacturing & Fabrication

Our specialized, experienced engineering team and partners are capable of providing extensive support with the in-house manufacturing and fabrication (DNV & non-DNV) of various kinds of units such as,

- Offshore Baskets
- Skids for various equipment
- Containers - customized
- Tanks, open top/Closed top, w/strainers
- Pressure Vessels, accumulators
- Separators
- Heat Exchangers
- Boilers
- Customized heaters

DON & GOLDMAN ENGINEERING



Equipment Manufacturing & Fabrication



DON & GOLDMAN ENGINEERING



Equipment Manufacturing & Fabrication



IQSdirectory.com



DON & GOLDMAN ENGINEERING



CUSTOMIZED

Onshore & Offshore Cargo Baskets Manufacturing & Fabrication:
Our specialized engineering team will cater all your requirements related to fabrication / manufacturing of DNV and NON-DNV baskets for both Onshore and Offshore applications.

We would like to add that we have our own designer and fabrication engineer with top class fabrication/welding team.

DNV & NON DNV FABRICATIONS

Our expertise in the field of fabrication involves everything from securing the raw materials needed to getting quality parts such as dish heads, wall sheets, shs tubes, rhs tubes, ISO corners, pad eyes, beams, panels units out of the door to you as at your desired schedules without compromising on the quality and workmanship.

PLEASE NOTE THAT ALL OUR MATERIALS ARE ADNOC APPROVED and will carry MTC and ADNOC approved certificate for the raw materials.

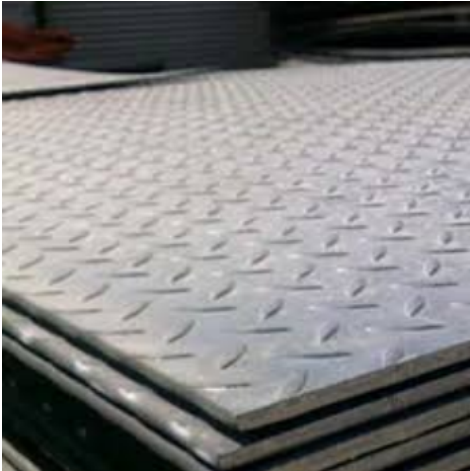
FIRE & SECURITY SERVICES RELATED

- Programming, Re-programming, trouble shooting of various models of Fire alarm control panels.
- Supply of Fire alarm system spares.
- Supply of Firefighting spares such as Fire Extinguishers, Fire Hose Reels, Landing valves, Hoses, fabrication of fire extinguisher cabinets and Fire Hose reels cabinets (SS & MS).
- Fabrication of firefighting pipe spools.
- Disposal of old / used CO2 Fire Extinguishers / Cylinders.
- Supply of self-contained emergency & exit lights.
- Supply of fire rated cables.
- Repair and refurbishment of various kinds of valves.
- Pressure Testing / Hydrotesting and certification of Fire Hoses.

DON & GOLDMAN ENGINEERING



DNV & NON DNV FABRICATIONS



DON & GOLDMAN ENGINEERING



GENSETS/COMPRESSORS : Sales, Rental & Servicing

Having specialized engineering team, vendors and partners we are capable of providing rental services of various kinds of Gensets of diverse applications but not limited to the servicing and repair works. We also undertake and felicitate sales of gensets and compressors from:

- INGERSOLL RAND (USA)
- ELGI (INDIA)
- BOGE (GERMANY).

Taking into account compressors being one of the core units of the Oil and Gas operations we do extend rental support and servicing of various kinds of compressors utilizing our strong network in the industry and goodwill with the vendors throughout UAE.

CHEMICALS & AFTER ANALYSIS KIT

We have a strong network of chemical suppliers in UAE. Any chemicals required for:

- Drilling
- Chemical cleaning
- Neutralizations
- Hydrotesting
- Distilled water
- Acids
- Alkalis
- Weak Acids
- Hardness
- Laboratory items
- Lab analysis kits
- Chloride
- Oil in water analysis kit
- Spectrophotometer
- Boroscope Camera inspection
- Indicators like Methyl Orange
- Phenolphthalein
- BULK SUPPLY OF BENTONITE

DON & GOLDMAN ENGINEERING



GENSETS/ COMPRESSORS



CHEMICALS & AFTER ANALYSIS KITS



DON & GOLDMAN ENGINEERING



OUR CORE SERVICES EXPERTISE

- CEMENTING SERVICES – UPSTREAM DRILLING
- PROCESS & PIPELINE SERVICES – DOWNSTREAM
- REMEDIAL & COMMISSIONING
- COIL TUBING SERVICES- Remedial Well Services Related

CEMENTING SERVICES

Cementing services need 24 x 7 readiness for the equipment and the crew, for services and maintenance, for hot shots and backups and emergency assistance.

With our local and international tie ups we can provide full fledged cementing services in UAE with advance notice from the client. We are in the process of importing the cementing equipment to be made available in UAE for further tie ups and scopes. Please don't hesitate to contact me for further details.

Equipment Available to be Imported:

- Twin Cementing pump
- Truck loaded cementing unit
- Batch mixers 100 BARRELS
- Cutting bottle
- Silos
- Mixing tanks
- Water tanks
- Compressors
- Container with cement heads & manifolds
- Necessary tools & Spares
- Iron package
- Hoses & cross overs



Note: We have the cementing crew also ready also to be mobilized along with the equipment.

DON & GOLDMAN ENGINEERING



PPS SERVICES

We can support the clients in below list of PPS services :

- N2 OPERATIONS – PURGING
- N2 OPERATIONS - LEAK TESTING WITH & W/O HELIUM
- STRENGTH TEST
- SOAP BUBBLE LEAK TESTING
- CRITICAL VALVE TEST
- HYDROTESTING
- PIGGING
- DEGASSING
- N2 PRESERAVTION
- BOLTING
- TORQUEING
- CHEMICAL CLEANING
- FLANGE MANAGEMENT
- AIR DRYING F/DEW POINT
- HOT AIR BLOWING
- HOT OIL FLUSHING
- LIQUID N2 SUPPLY -(VOLUME NOT AN ISSUE)
- 5000 GALS TANKS
- 2000 GALS TANKS
- NITROGEN GAS QUAD
- PREMIX GAS QUAD
- HELIUM GAS QUAD

DON & GOLDMAN ENGINEERING



PPS SERVICES



DON & GOLDMAN ENGINEERING



COIL TUBING SERVICES

CTU services are the specialized well services or remedial services which hold a very important part in downstream well scopes. We can provide CTU services after advance notice as our tie ups are very strong and we have 6 CTU units available to us if not already occupied at any ADNOC site in UAE.



We have,

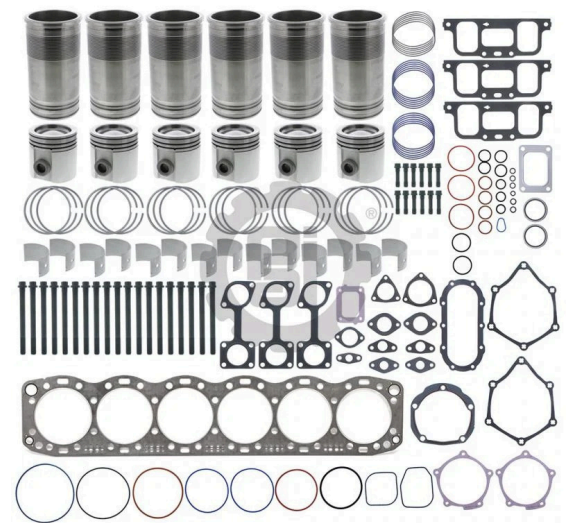
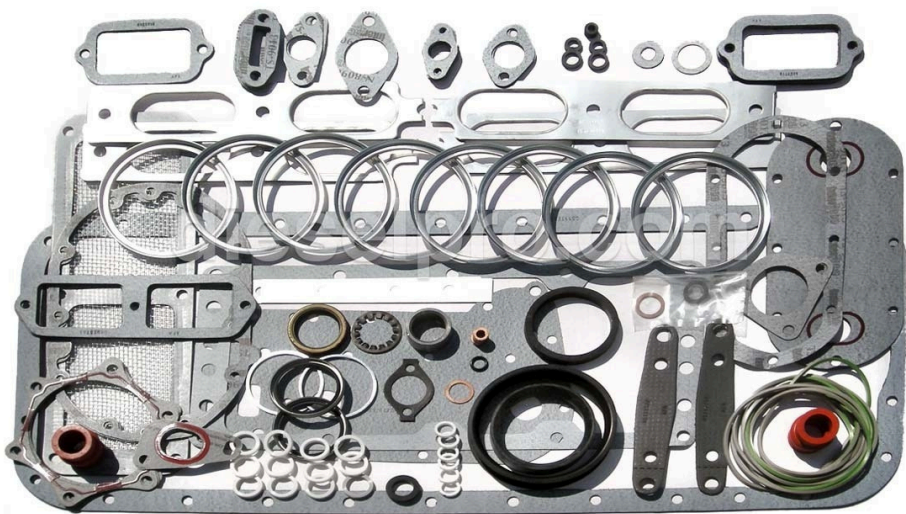
- Truck mounted CTU units
- We have skid mounted CTU units
- CTU units of variable lengths and Sizes

Precise information can be given on specific query being sent to us on our registered email id or call to the Operations manager or CEO.

DON & GOLDMAN ENGINEERING



ENGINE OVERHAULING / SERVICING / EQUIPMENT MAINTENANCE / SPARES

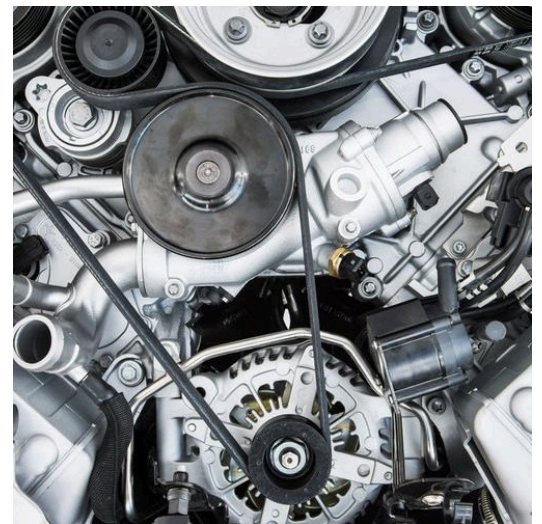


We do overhaul of all major engines brands basically for oil and gas sector and associated industries including Marine . We as equipment owners use various types of engines for various equipment like gensets , compressors , pumps , hydraulic powerpacks , marine and industrial operations as well. The engines mostly belongs to makers like Cummins , Detroit , Caterpillar , Deutz , Kirloskar , John Deere having both mechanical type and electrical modules as running systems . At certain point of time or as per preventive maintenance , we need to make servicing and make sure that the engines are well serviced and ready as per norms and regulations set by the local bodies for their emissions and horse power rating to be able to continue with optimum performance . We are here to help you with solutions and services for the same if your need .

DON & GOLDMAN ENGINEERING



ENGINE OVERHAULING / SERVICING / EQUIPMENT MAINTENANCE / SPARES



We charge as per services provided and assist you to get the overhauling done in least possible expenditure giving maximum output and service quality . Please don't hesitate to get back to us for your equipment at any point of time .We charge only when we do service . We are here to sincerely help you with your operations and support you 24 x 7 . We are here with a combined experience of more than 45 years of operations with a very good vendor base and supply support . local and international . Do keep us posted on your requirements and let us take care of your equipment. Thanks and greatly appreciated.



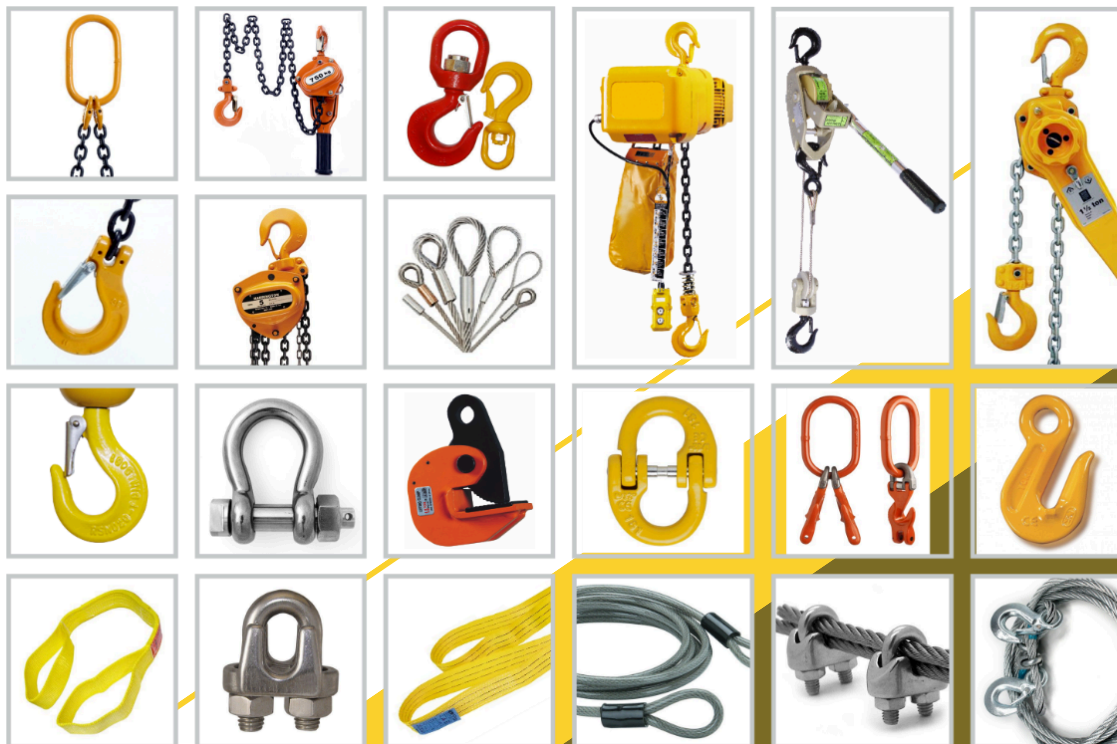
DON & GOLDMAN ENGINEERING



I (Founder & CEO) come from operations having experience of 28 years in cementing , coil tubing and PPS . We understand the importance of operational time and importance of on time delivery or support . TIME IS MONEY in oil and gas and any shortfall is extra loading on the profits and bad comments from clients . We are here to support you to prevent the same and help you with top quality support for your equipment. Give us a chance and see the difference .

COMPLETE LIFTING SOLUTIONS

Being in the site operations on various ADNOC sites both offshore and offshore, I have a good insight and partnered team to assist in overall lifting solutions for your operations.



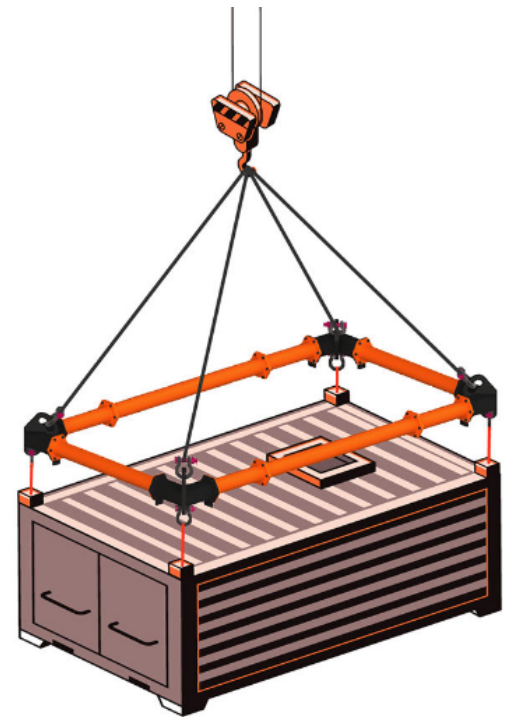
DON & GOLDMAN ENGINEERING



COMPLETE LIFTING SOLUTIONS

We undertake the following tasks and assure you full complete solution as per ADNOC standards and /or DNV as required. We will make sure that your equipment is mobilized without any hassles and downtime. Please see the list below of the services we provide and certifications from ADNOC /DNV approved inspectors and firms.

- PROOF LOAD CERTIFICATION
- SKID FABRICATION
- PAD EYE FABRICATION AND MODIFICATION
- DNV DESIGN APPROVAL
- DNV LIFTING AND FABRICATION CERTIFICATION
- CERTIFIED SHACKLES – VARIOUS TYPES
- CERTIFIED SLINGS – AS PER REQUIREMENT
- MASTER HOOKS AND ACCESSORIES
- SPREADER BAR LIFTING FRAME – VARIOUS SWL
- STRAP BELTS
- FABRICATION OF OFFSHORE BASKETS –
- DNV CERTIFIED / ADNOC CERTIFIED
- BARREL LIFT SLINGS



DON & GOLDMAN ENGINEERING

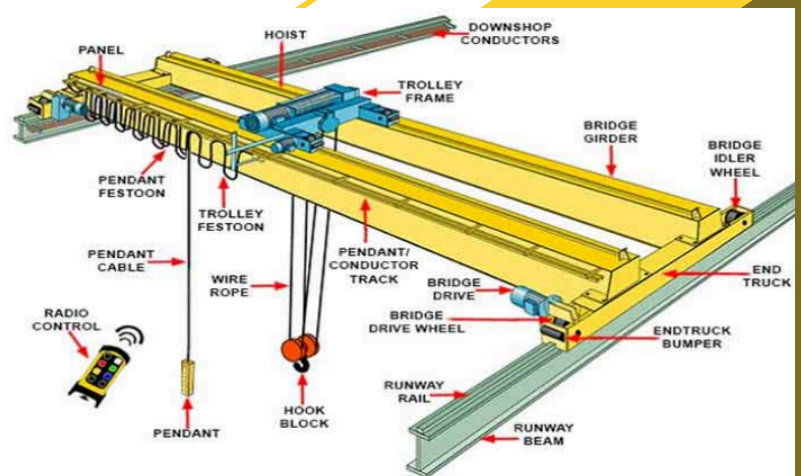
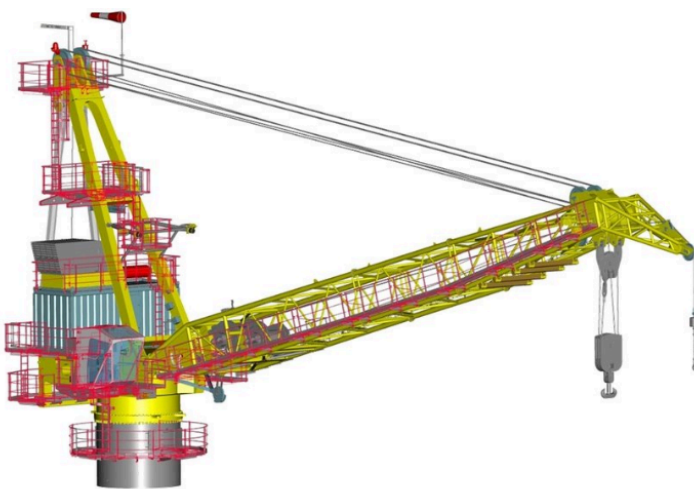


COMPLETE LIFTING SOLUTIONS

We have ADNOC APPROVED partners who can assist in sales /service / certification and supply of Offshore /Mobile / Overhead cranes. Our partners are well equipped and certified by ADNOC to impart various trainings to new and existing employees which are mandatory for site work.

We can assist you with precision and offer solutions without delay as we are aware of the things that are an integral part of the operations as we have been dealing with the same last 3 decades.

We believe that with our foresight of serving the clients with sincere intention of supporting the operations to not have downtime and solutions within the timeframe will help the projects overall to be over in given time and within finances. Ultimately, we are all working for making profits for the company and benefit of the employees and the sector which cannot be achieved with failures in equipment and inefficiently dealing with issues in operations. Please do give us a chance to be your supporting arm in your endeavors.



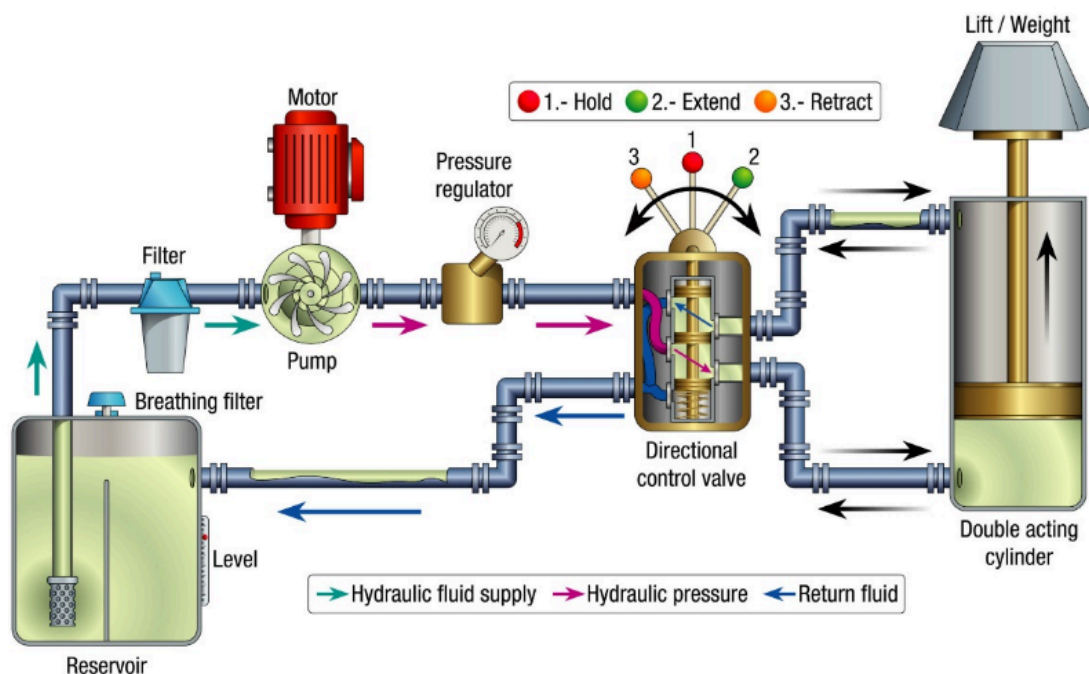
DON & GOLDMAN ENGINEERING



HYDRAULICS & OILS

We can assist you with servicing, spares and sales for all types of hydraulic pumps, motors and cylinders. No matter what the equipment, the concept of hydraulics never changes. The components are same but just different types and functions. Having ready spares and service personnel is the key to save downtime and monies. We are teamed up with service personnel and vendors who can assist you with servicing and repair of all types of hydraulics components.

We are also well equipped to deliver all types of oils and in as much quantity with prior short notice to any location in UAE as we have factory to support our supply line. So our dear clients, please engage us to support you as per your convenience, your ability and requirement.

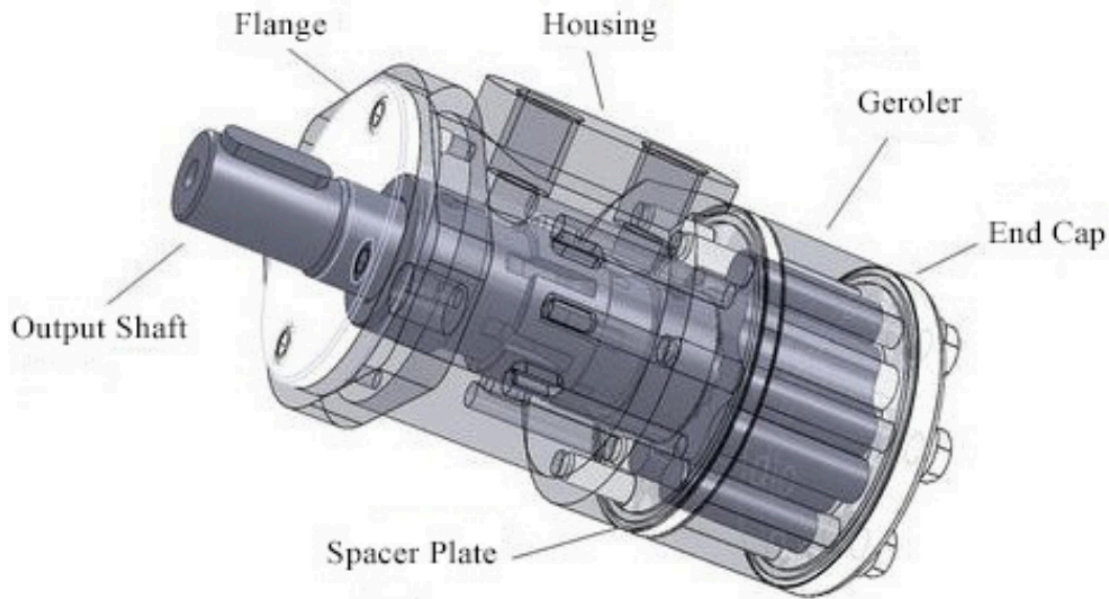


BASIC HYDRAULIC SYSTEM

DON & GOLDMAN ENGINEERING



HYDRAULICS & OILS



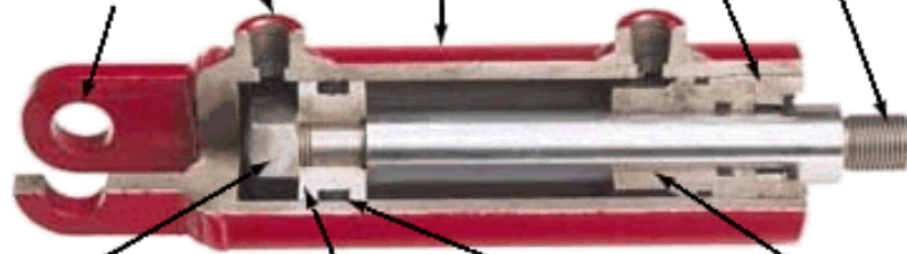
90 DEGREE PORTS AND
SAE O-RING PORTS
AVAILABLE
(NPT PORT SHOWN)

FLUSH FITTING
THREADED
RETAINER

THREADED
ROD END
(OTHER MOUNTINGS
AVAILABLE)

WELDED BASE

PRECISION HONED BARRELS



UNITORQUE OR
2-WAY LOCK NUT
STANDARD -
CASTLE NUT WITH

HIGH STRENGTH
ALUMINUM
PISTON

O-RING SEALS
WITH BACK UP
STANDARD

PRECISION
TUNED ROD
BEARING

DON & GOLDMAN ENGINEERING



HOSES & HYDRAULIC FITTINGS

We are well informed, well placed and equipped to deliver hoses up to rating 35k psi plus of all sizes. All types of hoses namely Thermoplastic, Chemical, hydraulics, water, air, Liquid nitrogen, acid, alkali, oil, stimulation, cementing and drains. We can also assist in retesting & recertification of hoses OF ALL MAKES AND SIZES.



P.S – The pics of equipment are for reference only.